


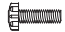
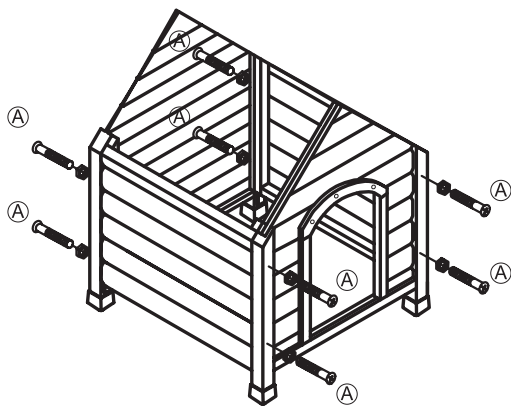
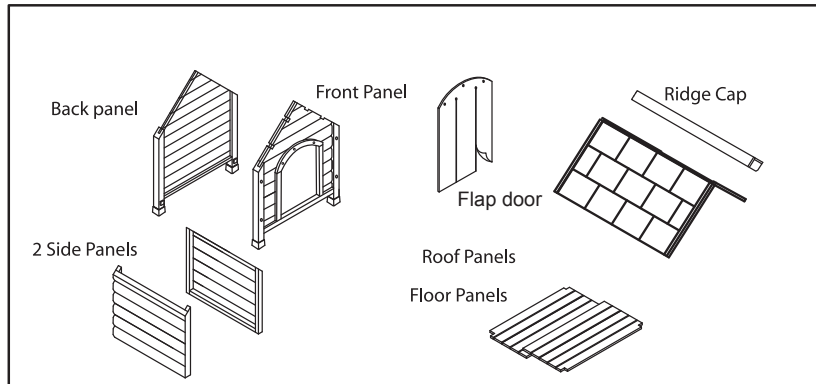
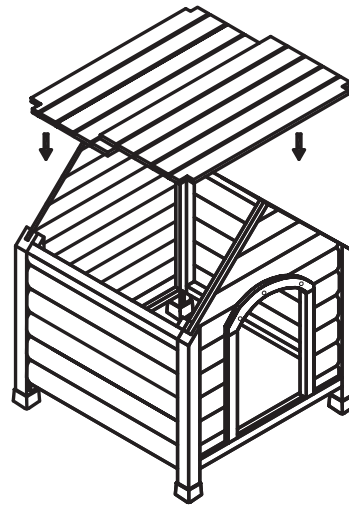


DOG HOUSE ASSEMBLY INSTRUCTION

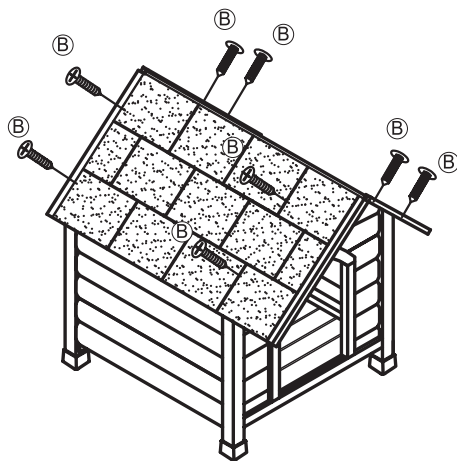
- A  Bolts and Nuts : 8 Sets
- B  Screws : 8pcs
- C  Screws : 4pcs
- D  Stars : 3pcs



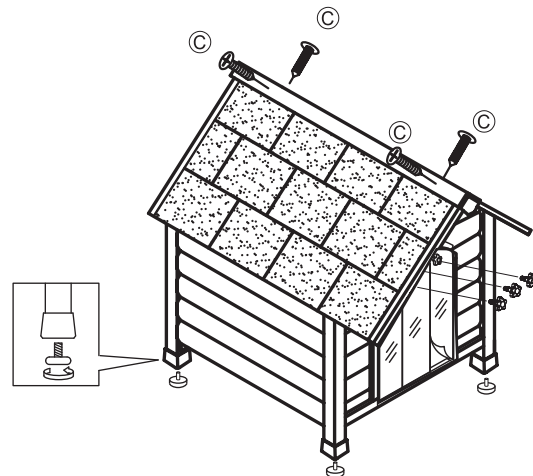
Step 1:
Secure Side Panels with bolts and nuts.



Step 2:
Drop in floor.



Step 3:
Attach roofs and secure with screws.



Step 4
Secure ridge cap onto roof with screws and attach flapdoor on the door.